

# V60 V-SNOW BLADE



Variable V, scoop, straight, and angled positions allows optimal snow removal.

Replaceable steel center edge sections.

Reversible, replaceable bolt-on edges allow 5 1/2" of total wear.



Oscillation and adjustable cast skid shoes allows edge to follow uneven surfaces.

Floating frame link maintains full blade contact in scoop and V positions, while allowing full down pressure in straight and angled positions.

Trip edge containing four compression springs. SBV48 contains two compression springs.

## Option: Pin-on Wings

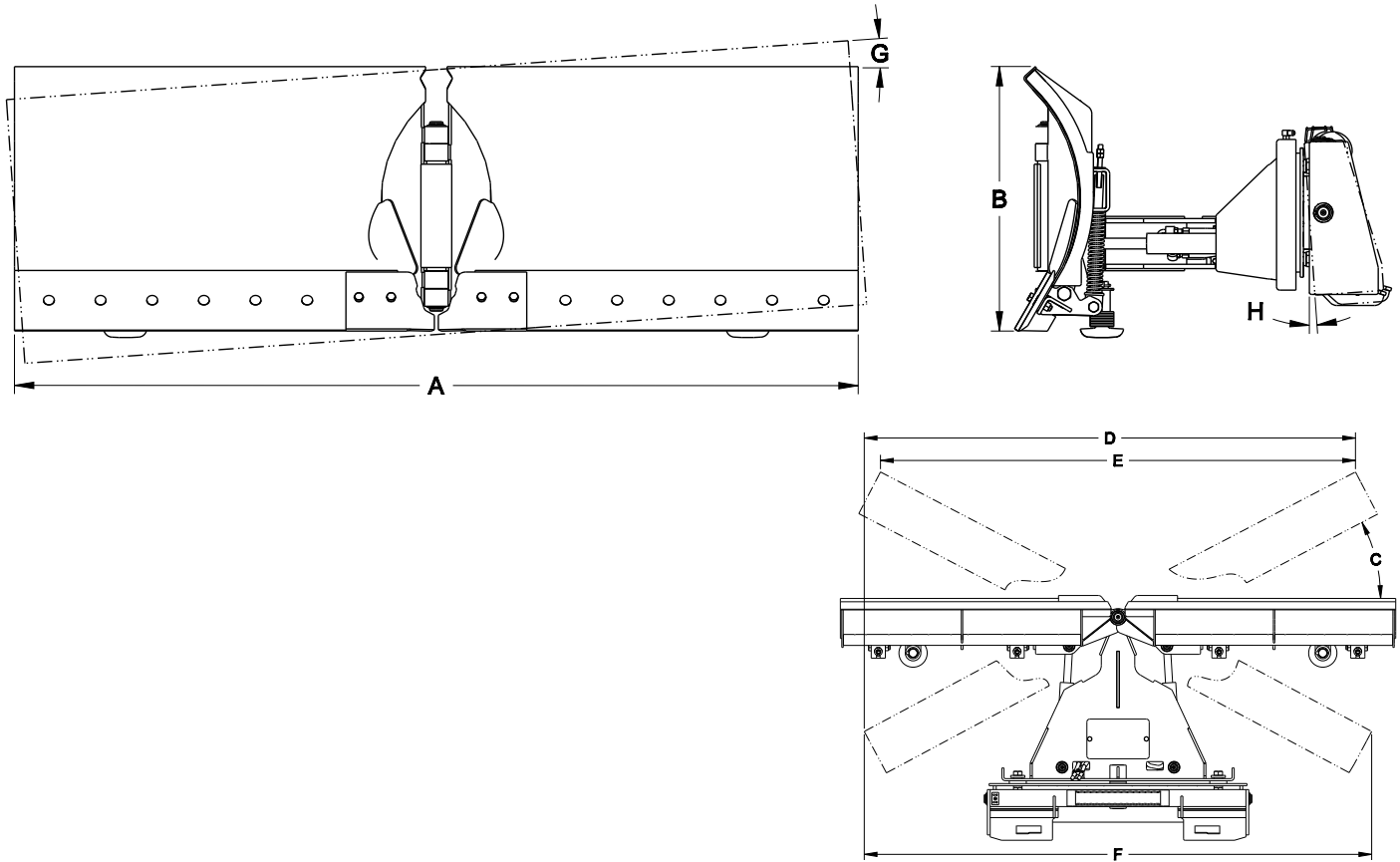


Two, 12" wide wings angled 20° forward from moldboard to increase the blade's width by 21 3/4". Retro Pin-on Wings available for V-Snow Blades without factory added mounting holes.



The scoop position allows the operator to push and pile snow, and the V position cuts through the deepest piles and drifts.

# V60 V-SNOW BLADE SPECS



MODEL	SBV48	SBV60	SBV72	SBV84	SBV96	SBV108	SBV120
(A) Overall Blade Width (Inches)	51.5	62.0	74.0	86.0	98.0	110.0	120.0
(B) Blade Height (Inches)	31.0						
(C) Blade Angle (Degrees)	+/- 30						
(D) Width at Full Angle (Inches)	44.0	53.0	64.0	74.0	84.0	95.0	104.0
(E) Width at Full Scoop (Inches)	39.8	49.0	60.0	70.0	81.0	92.0	101.0
(F) Width at Full V (Inches)	48.0	57.0	66.0	76.0	88.0	99.0	108.0
Moldboard Thickness (Inches)	0.19						
Cutting Edge (Inches)	5/8 x 8 Bolt-on						
Center Edge (Inches)	1/2 High Tensile Steel, Bolt-on						
(G) Blade Oscillation (Degrees)	+/- 4						
(H) Float Link Angle (Degrees)	+/- 5						
Approximate Weight (Pounds)	1060	1070	1130	1190	1250	1310	1370
Recommended Loader Capacity	Greater than 1500 pounds						

- Two-cylinder hydraulic angle with a 1-9/16" diameter pivot pin.
- 2" bore, 8-3/8" stroke cylinders with 1-1/4" NitroSteel® cylinder rods and 1-1/4" cylinder pins.
- Includes steel cutting edge, two pairs of steel center sections cylinders, fittings, hoses and couplers.
- Replacement edge kits available.