



RATED OPERATING CAPACITY - 1650 LBS | 748 KG

SKID STEER LOADER

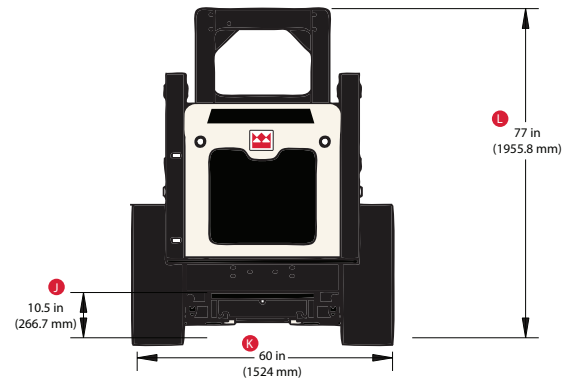
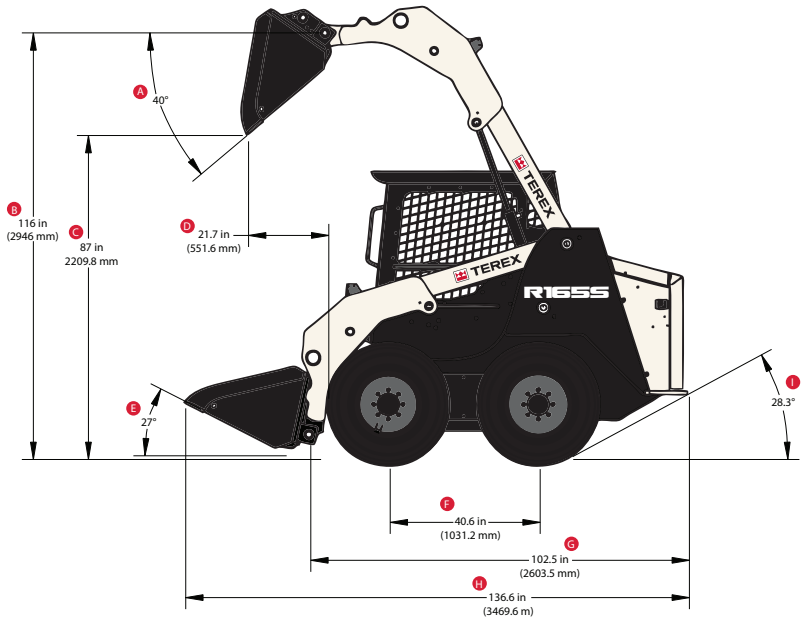
R165S

SPECIFICATIONS

OPERATING SPECIFICATIONS

Loader Arms	Radial
Operating Weight	6065 lbs 2751 kg
Shipping Weight	5331 lbs 2418 kg
Rated Operating Capacity (50% of Tipping Load)	1650 lbs 748 kg
Tipping Load	3300 lbs 1497 kg
Max Travel Speed	7.4 mph 11.9 kph
Max Travel Speed (with optional 2 speed transmission)	12 mph 19.3 kph
Height to Bucket Pin	116 in 2946 mm
Dump Height at Bucket Discharge	87 in 2209.8 mm
Dump Reach at Bucket Discharge	21.7 in 551.6 mm
Maximum Dump Angle at Full Height	40°
Bucket Breakout Force	4750 lbs 2154 kg
Arm Lifting Force	4750 lbs 2154 kg
Rear angle of Departure	28.3°
Bucket Roll Back at Ground level	27°
Ground Clearance	
Unloaded	10.5 in 266.7 mm
Loaded	10 in 254 mm
Overall Length with Bucket	136.6 in 3469 mm

DIMENSIONS



ENGINE

Type	Diesel, 4-cylinder, Naturally Aspirated
Model	Perkins 404D-22
Displacement	135 in ³ 2.2 L
Gross Horsepower @ 2800 rpm	50 hp 37.3 kW
Torque Peak	105 ft-lb 143 Nm
Cooling System	Engine-Driven Fan and Coolant/Anti-Freeze Filled Radiator
Intake Air Cleaner	Dual Stage
Emissions Controls	Meets All U.S. EPA Tier 4 Final Standards

DRIVE TRAIN

Drive System	Hydrostatic
Chain Case	Bow Tie Drive System
Chain Size	80 ANSI Chain
Wheel Size	10 x 16.5
Width Over Tires	60 in 1524 mm
Tractive Effort	8453 lbs 3826 kg
Wheel Base	40.6 in 1031 mm

SERVICE CAPACITIES

Fuel Tank	25 gal 95 L
Hydraulic Tank	8 gal 30 L
Engine Coolant/Anti-freeze	3.5 gal 13 L
Engine Oil including filter	11.2 quarts 10.6 L

MEASUREMENTS

A	Dump Angle
B	Height to Hinge Pin
C	Height to Bucket Discharge
D	Reach at Full Height
E	Bucket Rollback at Ground Level
F	Wheel Base
G	Overall Length without Bucket
H	Overall Length with Bucket
I	Rear Angle of Departure
J	Unloaded Ground Clearance [10 in 254 mm Loaded]
K	Width Between Tires
L	Overall Height to Top of ROPS

WORKS FOR YOU.™





RATED OPERATING CAPACITY - 1650 LBS | 748 KG



SKID STEER LOADER R165S

AUXILIARY HYDRAULIC SYSTEM

System Pressure, Maximum	3335 psi 230 bar
Controls	Pilot Hydraulic Joystick
Couplers	5/8 in Flat Faced
Auxiliary Pump Flow	17.1 gpm 65 lpm

ELECTRICAL SYSTEM

Normal Charge	12V
Battery	770 CCA
Charging System	65 Amp Alternator
Outlets	1-12V Port Inside Operator Station

OPERATOR STATION

Seat: Standard seat with an optional adjustable suspension seat available.	
Loader Control: Right-hand pilot hydraulic joystick controls loader lift/tilt, with intermittent control of auxiliary hydraulics.	
Drive Control: Left-hand pilot hydraulic joystick controls machine speed and direction.	
Engine speed control	Foot Throttle
Indicators/Gauges	Fuel
	Tachometer
	Engine Temperature
	Hour Meter
	Battery
	Two Speed
	Oil Level
	Hydraulic Temperature
Water Temperature	
ROPS/FOPS	Meets ISO 3471 ISO 6683 ISO 3449
Illumination	2 Forward Facing Lights 2 Rear Facing Lights
Back up alarm	
Horn	
Sound Insulation	
Rear Window	

OPTIONAL ATTACHMENTS

Auger Drive And Bits	Grapple Bucket
Backhoe	Pallet Forks
Broom, Rotary	Power Box Rake
Bucket, General Purpose	Snow Blade
Bucket, Light Material	Snow Blower
Bucket, Multi-Purpose	Stump Grinder
Brush Cutter, Rotary	Trencher
Dozer Blade	Vibratory Roller
Eliminator Rake	

MACHINE OPTIONS

Seat belt, 3-inch 76 mm wide	Cab enclosure with heater, insulation, wiper
Beacon, rotating	Front door, polycarbonate
Cab enclosure with wiper	Horn
Suspension seat, adjustable	Windows, side, sliding
Two speed - 12 mph 19.3 kph top speed	Assy floatation tire/wheel 31.DX15.5-16.5 8 HD2000 II TL (set of 4)
Radio, AM-FM-MP3, speakers	Attachment control kit - 8 pin electrical connector
Engine block heater: recommended for the applications ≤32° F/0° C	

Terex Construction

8800 Rostin Road
Southaven, MS 38671 USA
Tel +1 | 888 90-TEREX
www.terex.com/construction

Distributed By:

www.terex.com/construction

Effective Date: July 2014. Rated Operating Capacity and Tipping Load specifications measured with foundry bucket. Product specifications and prices are subject to change without notice or obligation. The photographs and/or drawings in this document are for illustrative purposes only. Refer to the appropriate Operator's Manual for instructions on the proper use of this equipment. Failure to follow the appropriate Operator's Manual when using our equipment or to otherwise act irresponsibly may result in serious injury or death. The only warranty applicable to our equipment is the standard written warranty applicable to the particular product and sale and Terex makes no other warranty, express or implied. © 2014 Terex Construction. Terex, the Terex Crown design and Works For You are trademarks of Terex Corporation or its subsidiaries.

