



**RATED OPERATING CAPACITY - 2000 LBS | 907 KG**

# SKID STEER LOADER

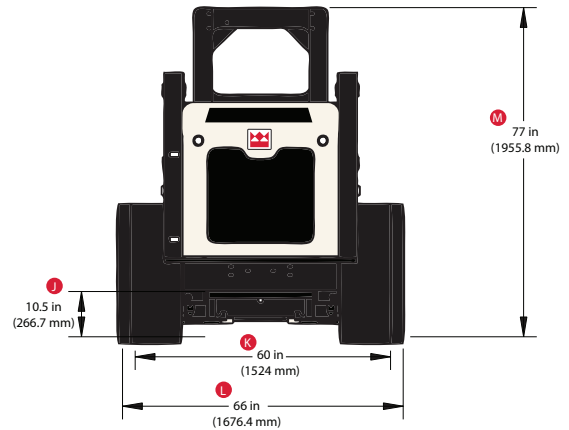
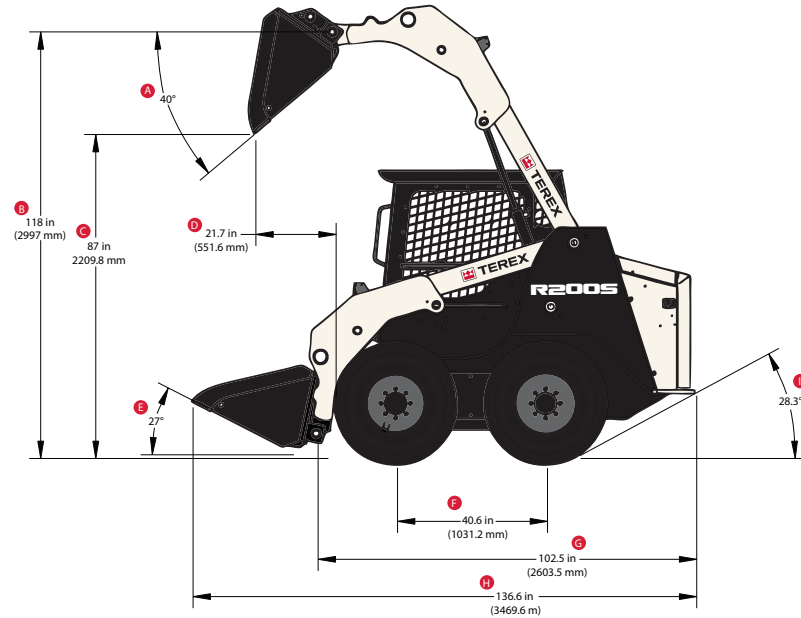
## R200S

### SPECIFICATIONS

#### OPERATING SPECIFICATIONS

Loader Arms	Radial
Operating Weight	6370 lbs   2889 kg
Shipping Weight	5636 lbs   3010 kg
Rated Operating Capacity (50% of Tipping Load)	2000 lbs   907 kg
Tipping Load	4000 lbs   1814 kg
Maximum Travel Speed	7.4 mph   11.9 kph
Maximum Travel Speed (with optional 2 speed transmission)	12 mph   19.3 kph
Height to Bucket Pin	116 in   2946 mm
Dump Height at Bucket Discharge	87 in   2209.8 mm
Dump Reach at Bucket Discharge	21.7 in   551.6 mm
Max Dump Angle at Full Height	40°
Bucket Breakout Force	4750 lbs   2154 kg
Arm Lifting Force	4750 lbs   2154 kg
Rear angle of Departure	28.3°
Bucket Roll Back at Ground level	27°
Ground Clearance	
Unloaded	10.5 in   266.7 mm
Loaded	10 in   254 mm
Overall Length with Bucket	136.6 in   3469 mm

### DIMENSIONS



### ENGINE

Type	Diesel, 4-Cylinder, Turbocharged
Model	Perkins 404D-22T
Displacement	134 in <sup>3</sup>   2.2 L
Gross Horsepower @ 2800 rpm	60 hp   44.7 kW
Torque, Peak	140 ft-lb   190 Nm
Cooling System	Engine-Driven Fan and Coolant/Anti-Freeze Filled Radiator
Intake Air Cleaner	Dual Stage
Emissions Controls	Meets All U.S. EPA Tier 4 Final Standards

### DRIVE TRAIN

Drive System	Hydrostatic
Chain Case	Bow Tie Drive System
Chain Size	80 ANSI Chain
Wheel Size	10x16.5
Width Over Tires	66 in   1676 mm
Tractive Effort	8453 lbs   3826 kg
Wheel Base	40.6 in   1031 mm

### SERVICE CAPACITIES

Fuel Tank	25 gal   95 L
Hydraulic Tank	8 gal   30 L
Engine Coolant/Antifreeze	3.5 gal   13 L
Engine Oil   including filter	11.2 quarts   10.6 L

### MEASUREMENTS

A	Dump Angle
B	Height to Hinge Pin
C	Height to Bucket Discharge
D	Reach at Full Height
E	Bucket Rollback at Ground Level
F	Wheel Base
G	Overall Length without Bucket
H	Overall Length with Bucket
I	Rear Angle of Departure
J	Unloaded Ground Clearance [ 10 in   254 mm Loaded]
K	Width Between Tires with Rims Reversed
L	Width Between Tires
M	Overall Height to Top of ROPS

**WORKS FOR YOU.™**



# TEREX®

**RATED OPERATING CAPACITY - 2000 LBS | 907 KG**

# SKID STEER LOADER

# R200S

## AUXILIARY HYDRAULIC SYSTEM

System Pressure, max.	3335 psi   230 bar
Controls	Pilot Hydraulic Joystick
Couplers	5/8 in Flat Faced
Auxiliary Pump Flow	17.1 gpm   65 lpm

## ELECTRICAL SYSTEM

Normal Charge	12V
Battery	770 CCA
Charging System	65 Amp Alternator
Outlets	1-12V Port Inside Operator Station

## OPERATOR STATION

Seat: Standard seat with an optional adjustable suspension seat available.	
Loader Control: Right-hand pilot hydraulic joystick controls loader lift/tilt, with intermittent control of auxiliary hydraulics.	
Drive Control: Left-hand pilot hydraulic joystick controls machine speed and direction.	
Engine speed control	Foot Throttle
Indicators/Gauges	Fuel Tachometer Engine Temperature Hour Meter Battery Two-Speed Oil Level Hydraulic Temperature Water Temperature
ROPS/FOPS	Meets ISO 3471 ISO 6683 ISO 3449:2005 Level 1
Illumination	2 Forward Facing Lights 2 Rear Facing Lights
Back up alarm	
Horn	
Sound Insulation	
Rear Window	

## OPTIONAL ATTACHMENTS

Auger Drive And Bits	Grapple Bucket
Backhoe	Pallet Forks
Broom, Rotary	Power Box Rake
Bucket, General Purpose	Snow Blade
Bucket, Light Material	Snow Blower
Bucket, Multi-Purpose	Stump Grinder
Brush Cutter, Rotary	Trencher
Dozer Blade	Vibratory Roller
Eliminator Rake	

## MACHINE OPTIONS

Seat belt, 3-inch   76 mm wide	Cab enclosure with heater, insulation, wiper
Beacon, rotating	Front door, polycarbonate
Cab enclosure with wiper	Horn
Suspension seat, adjustable	Windows, side, sliding
Two speed - 12 mph   19.3 kph top speed	Assy floatation tire/wheel 31.0X15.5-16.5 8 HD2000 II TL (set of 4)
Radio, AM-FM-MP3, speakers	Attachment control kit - 8 pin electrical connector
Engine block heater: recommended for the applications ≤32° F/0° C	

### Terex Construction

8800 Rostin Road  
 Southaven, MS 38671 USA  
 Tel +1 | 888 90-TEREX  
[www.terex.com/construction](http://www.terex.com/construction)

### Distributed By:

[www.terex.com/construction](http://www.terex.com/construction)

Effective Date: July 2014. Rated Operating Capacity and Tipping Load specifications measured with foundry bucket. Product specifications and prices are subject to change without notice or obligation. The photographs and/or drawings in this document are for illustrative purposes only. Refer to the appropriate Operator's Manual for instructions on the proper use of this equipment. Failure to follow the appropriate Operator's Manual when using our equipment or to otherwise act irresponsibly may result in serious injury or death. The only warranty applicable to our equipment is the standard written warranty applicable to the particular product and sale and Terex makes no other warranty, express or implied. © 2014 Terex Construction. Terex, the Terex Crown design and Works For You are trademarks of Terex Corporation or its subsidiaries.