



T 133 H
T 144 H PLUS



www.ausa.com

AUSA Center, S.L. ● Ctra. de Vic, Km 2.8 - P.O.B. 194. 08243 Manresa - BARCELONA (ESPAÑA) Tel.: +34 93 874 73 11 - E-mail: ausa@ausa.com

ISO 9001 ISO 14001



(Sede central AUSA-Manresa)

AUSA Madrid ● Pol. Ind. Coslada - C. Marconi 15-17. 28823 Coslada - MADRID (ESPAÑA) Tel.: +34 91 669 00 06 - E-mail: ausa.madrid@ausa.com
AUSA France ● Z. I. Saint Charles - Rue de Zürich, 66000 PERPIGNAN (FRANCE) Tel.: +33 (0) 4 68 54 38 97 - E-mail: ausa.france@ausa.com
AUSA Deutschland ● Heinrich - Welken Str. 5. 59069 HAMM (GERMANY) Tel.: +49 (0) 2385-9359362 - E-mail: ausa.deutschland@ausa.com
BEIJING Rep. Office ● Address Room 527. HengXiang Building, Tuanjieshu Nanli, Chaoyang District. - BEIJING 100026 (CHINA)
 Tel.: 86-10-8597 1983 - Fax: 86-10-8597 1993 - E-mail: ausa.china@ausa.com
AUSA UK ● Tel.: 07970639988 - E-mail: ausa.uk@ausa.com
AUSA Brasil ● Tel.: +55 51 33622111 - E-mail: ausa.brasil@ausa.com
AUSA México ● Calzada Vallejo, 725. 07750 Del. Gustavo A. Madero, México D.F. (MÉXICO) Tel.: +55 2166-9066 - E-mail: ausa.mexico@ausa.com



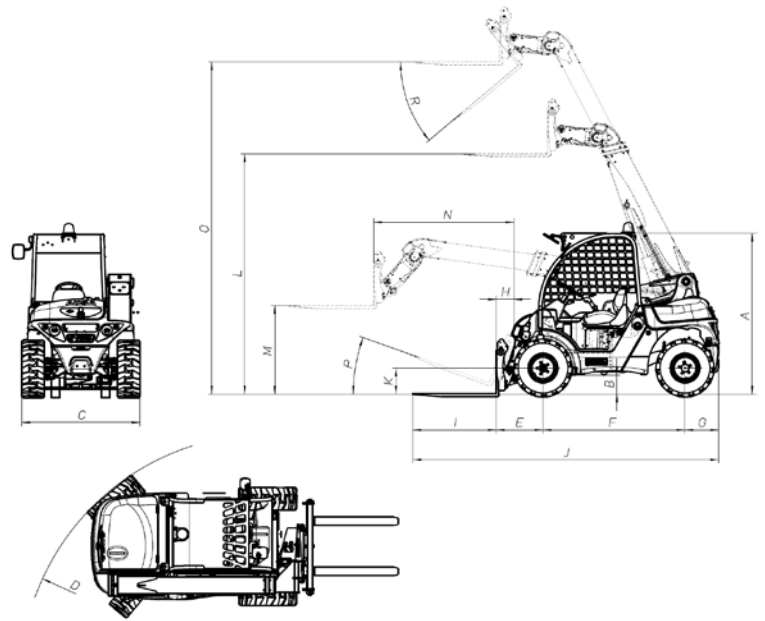
FEM-AEM



T 133 H T 144 H PLUS

AUSA
www.ausa.com

DIMENSIONS ft-in (mm)	T 133 H	T 144 H PLUS
A	6-4 (1942)	6-4 (1942)
B	10.6 (270)	10.6 (270)
C	4-8 (1410)	4-8 (1410)
D	9-9 (2982)	9-9 (2982)
E	1-7 (485)	1-7 (485)
F	5-8 (1723)	5-8 (1723)
G	1-3 (383)	1-3 (383)
H	4.8 (123)	9.1 (230)
I	3-3 (1000)	3-3 (1000)
J	11-9 (3591)	12-2 (3710)
K	1-0 (310)	1-0 (310)
L	8-8 (2644)	9-6 (2900)
M	2-5 (748)	3-6 (1057)
N	-	5-7 (1690)
O	-	13-0 (3970)
P	-	20°
R	-	40°

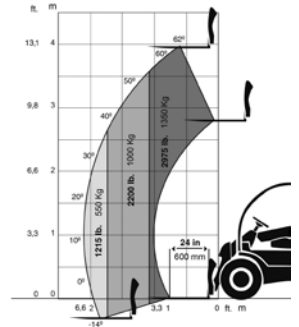


TECHNICAL SPECIFICATIONS

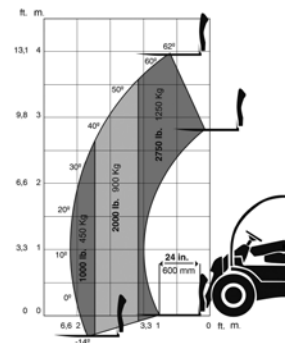
		T 133 H	T 144 H PLUS	
Load capacity	Max. load (@ 24"/600mm)	lb (Kg)	2,645 (1200)	2,975 (1350) (2,755 (1250) with Side shift (*)) (2,535 (1150) with quick tach(**))
	Load at max. height (@ 24"/600mm)	lb (Kg)	2,645 (1200)	2,975 (1350) (2,755 (1250) with Side shift @ (*)) (2,535 (1150) with quick tach(**))
Lifting height	Maximum lifting height	ft-in (mm)	8-8 (2644)	13-1 (3990)
	Lifting height at max. load	ft-in (mm)	8-8 (2644)	13-1 (3990)
Reach	Max reach	ft-in (mm)	1-6 (458)	7-2 (2180)
	Capacity at max reach	lb (Kg)	2,866 (1300)	1,212 (550) (992 (450) with Side shift (*)) (772 (350) with quick tach (**))
Unload weight		lb (Kg)	4,850 (2200)	5,291 (2400)
Engine	Diesel		Kubota D-1105	Kubota V-1505
	Power acc./SAE J1995 (KW / HP)		16.8 / 22.8	22.7 / 30.8
	N° of cylinders		3	4
	Cooling system			Water
Traction		Permanent 4x4 with hydraulic flow blocking	Permanent 4WD with automatic and hydraulic limited-slip wheels system exclusive AUSA	
Transmission		Hydrostatic with variable flow pump automatic regulation (PATENTED) exclusive AUSA. Electrical inverter in joystick		
Engine starting system		Electric		
Speed	Mph (Km/h)	12.4 (20)	10.6 (17)	
Gradient negotiable (with full load)		26%	26%	
Hydraulic circuit	Working flow & pressure gal (l) @ psi (bar)	5 (19) @ 3,480 (240)		
Tyres	Front	27x10 - 12	11.0 / 65x12	
	Rear	27x10 - 12	11.0 / 65x12	
External turning circle	ft-in (mm)	9-9 (2982)	9-9 (2982)	
Steering		Hydraulic / Rear wheels		
Tank capacity	Fuel gal (l)	14.5 (55)		
	Hydraulic fluid gal (l)	8.5 (32)		
Service brake		Hydrostatic retardation system		
Parking brake		Mechanically applied hydraulically released inside the hydrostatic motor		
STANDARD EQUIPMENT	-	Automatic audio-visual load moment indicator warning system		
	-	Active safety equipment with boom locking by instability		
		Homologated ROPS-FOPS cabin		
		Joystick with integrated functions, "total control of movements"		
		Adjustable ergonomic seat with safety belt		
		Rear view mirror		
		Audible reverse warning		
		Rotating beacon		
		Antivandalic system		
		4th auxiliary hydraulic service with quick coupling		
		Semi-closed cabin / Closed soundproof cabin with heater		
		Windscreen front protective grid		
		Load back rest		
		Electronic anti-theft protection system		
		Homologated lighting equipment / Working lights		
		5th auxiliary hydraulic service with quick coupling plugs		
	27x10-12 Wheels (SSL - Construction Pattern)			
	FEM II forks carriage with or without integrated side-sift (TDL) (*)			
	Bucket 0,4 cu yd (300l) / Multifunction 4 en 1 bucket			
	Multiple attachments available proven and tested from factory			
-		Hydraulic quick-tach carriage EURO 8 type (2,535 lb (1150 Kg) load capacity) (**)		
-		Hydraulic quick-tach carriage Universal-SSL type (2,535 lb (1150 Kg) load capacity) (**)		
-		High & continuous flow (11.9 gal/min (45 l/min) @ 2,900 psi (200 bar))		

OPTIONAL EQUIPMENT

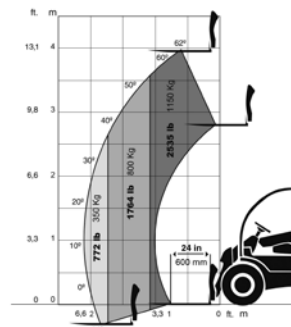
Standard Carriage



(*) Standard carriage with side-shift



(**) Universal / Euro 8 carriage (with side-shift consult load reduction)



AUSA reserves the right to make any changes in the specifications without prior notice.