



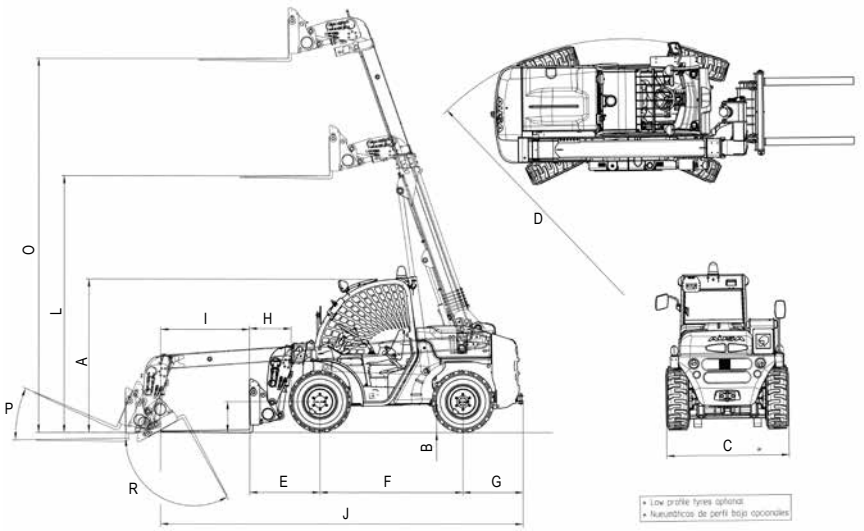
T 204 H
T 235 H



T 204 H T 235 H

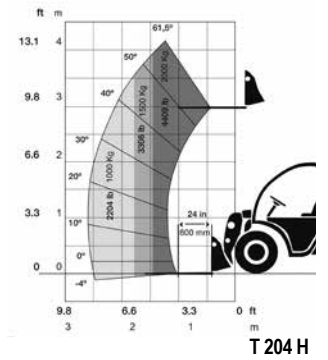
AUSA
www.ausa.com

DIMENSIONS ft-in (mm)	T 204 H	T 235 H
A	6-8 (2030)	6-8 (2030)
A	6-5 (1960*)	6-5 (1960*)
B	10.8 (275)	10.8 (275)
C	5-3 (1595)	5-3 (1595)
D	9-5 (2877)	9-5 (2877)
E	2-9 (849)	2-9 (849)
F	6-3 (1910)	6-3 (1910)
G	2-4 (705)	2-7 (785)
H	1-6 (459)	1-10 (548)
I	3-11 (1200)	3-11 (1200)
J	15-4 (4664)	15-11 (4860)
L	9-10 (2990)	11-4 (3451)
O	13-9 (4200)	16-6 (5032)
P	+20°	+24°
R	-120°	-119°

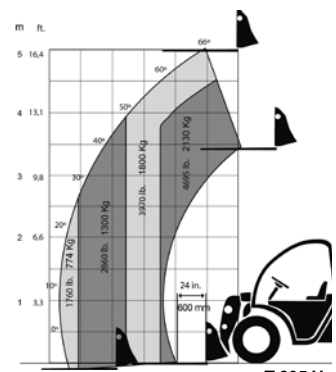


TECHNICAL SPECIFICATIONS

		T 204 H	T 235 H
Load capacity	Max. load (@ 24"/600mm)	4,410 (2000)	4,695 (2130)
	Load at max. height (@ 24"/600mm)	4,410 (2000)	3,970 (1800)
Lifting height	Maximum lifting height	13-9 (4200)	16-5 (5000)
	Lifting height at max. load	13-9 (4200)	14-9 (4500)
Reach	Max reach	8-6 (2598)	8-12 (2732)
	Capacity at max reach	2,204 (1000)	1,760 (800) (2,860 @ 8-4 (1300 @ 2.550))
Unload weight		8,930 (4050)	10,360 (4700)
Engine	Diesel	Kubota V-2403	
	Power / rpm (SAE J1995)	36.5 (50)	
	Nº of cylinders	4	
	Cooling system	Water	
Traction		4x4x4 permanent	
Transmission		Hydrostatic 2 gears	Hydrostatic with automatic regulation
		Electric gear inverter in joystic	Electric gear inverter in joystic
Engine starting system		Electric	
Speed	Mph (Km/h)	14.9 (24)	
Gradeability		50%	44%
Hydraulic circuit	Working pressure	psi (bar)	
	Hydraulic pump	cu-in (cc)	
	Flow circuit	gal/min (l/min)	
Tyres	Front	10 / 75 - 15.3 (14PR)	10 / 75 - 15.3 (18PR)
	Rear	10 / 75 - 15.3 (14PR)	10 / 75 - 15.3 (18PR)
External turning radius (mm)	ft-in (mm)	9-6 (2900)	9-6 (2900)
Steering	Type	Hydraulic	
	Mode	front wheel steer / all wheel steer / crab steer	
Tank capacity	Fuel	gal (l)	
	Hydraulic fluid	gal (l)	
Service brake		Disc brake, hydraulically actuated	
Parking brake		Mechanically actuated disk-brake	
STANDARD EQUIPMENT	Homologated FOPS/ROPS tilting cabin for easy service		
	Joystick with integrated functions, "total control of movements"		
	Adjustable ergonomic seat with safety belt		
	Rear view mirror		
	Audible reverse warning		
	Rotating beacon		
	Antivandalic system		
	Limited slip differential on front axle		
	4th auxiliary hydraulic service with quick coupling		
	Road Traffic Selector: Lock joystick and 2 front wheels steering		
	Active safety system with boom locking by instability/		
	Engine start lock with hand brake activated / Control arm lock without driver		
	Semi-closed cabin		
	Closed soundproof cabin with heater		
	Air conditioning integrated under the cabin		
	Radiostereo CD		
Adjustable steering column			
Front protective grille			
Load backrest			
Electronic anti theft protection system			
Homologated lighting equipment			
Working light			
5th auxiliary hydraulic service with quick coupling			
Hydraulic quick coupling system (Universal SLL type or Euro)			
4th auxiliary hydraulic service with continuous flow			
Other tyres pattern available			
FEM II forks carriage with or without integrated side-sift (TDL)			
Bucket 4 in 1			
Bucket 0.8 (600) / Bucket 0.9 (700) / Bucket 1.3 (1000)			
Multiple attachments available proven and tested from factory			



T 204 H



T 235 H

AUSA reserves the right to make any changes in the specifications without prior notice.