



T 276 H
T 306 H
T 307 H



www.ausa.com

AUSA Center, S.L. ● Ctra. de Vic, Km 2.8 - P.O.B. 194. 08243 Manresa - BARCELONA (ESPAÑA) Tel.: +34 93 874 73 11 - E-mail: ausa@ausa.com

ISO 9001

ISO 14001



(Sede central AUSA-Manresa)

AUSA Madrid ● Pol. Ind. Coslada - C. Marconi 15-17. 28823 Coslada - MADRID (ESPAÑA) Tel.: +34 91 669 00 06 - E-mail: ausa.madrid@ausa.com

AUSA France ● Z. I. Saint Charles - Rue de Zürich, 66000 PERPIGNAN (FRANCE) Tel.: +33 (0) 4 68 54 38 97 - E-mail: ausa.france@ausa.com

AUSA Deutschland ● Heinrich - Welken Str. 5. 59069 HAMM (GERMANY) Tel.: +49 (0) 2385-9359362 - E-mail: ausa.deutschland@ausa.com

BEIJING Rep. Office ● Address Room 527. HengXiang Building, Tuanjiehu Nanli, Chaoyang District. - BEIJING 100026 (CHINA)

Tel.: 86-10-8597 1983 - Fax: 86-10-8597 1993 - E-mail: ausa.china@ausa.com

AUSA UK ● Tel.: 07970639988 - E-mail: ausa.uk@ausa.com

AUSA Brasil ● Tel.: +55 51 33622111 - E-mail: ausa.brasil@ausa.com

AUSA México ● Calzada Vallejo, 725. 07750 Del. Gustavo A. Madero, México D.F. (MÉXICO) Tel.: +55 2166-9066 - E-mail: ausa.mexico@ausa.com



FEM-AEM

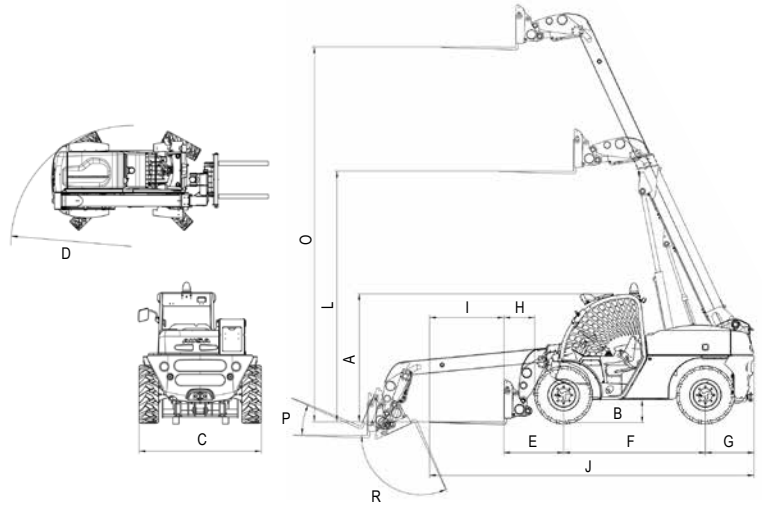


T 276 H
T 306 H
T 307 H



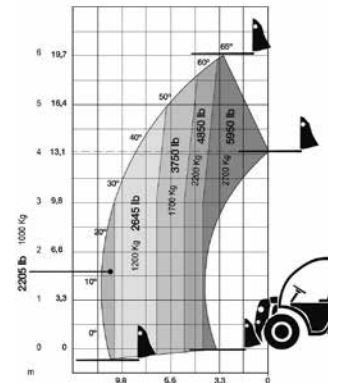
www.ausa.com

DIMENSIONS ft-in (mm)	T 276 H	T 306 H	T 307 H
A	6-11 (2115)	6-9 (2070)	6-9 (2070)
A	6-10 (2080)		
B	1-2 (355)	10.8 (275)	10.8 (275)
C	6-6 (1980)	6-7 (2015)	6-7 (2015)
D	10-7 (3220)	10-1 (3075)	10-1 (3075)
E	3-2 (968)	3-2 (968)	4-2 (1270)
F	7-6 (2290)	7-6 (2290)	7-6 (2290)
G	2-7 (786)	2-7 (786)	2-7 (786)
H	1-8 (497)	1-8 (497)	2-7 (799)
I	3-11 (1200)	3-11 (1200)	3-11 (1200)
J	17-2 (5244)	17-2 (5244)	18-2 (5546)
L	13-4 (4054)	13-4 (4054)	13-4 (4054)
L	13-2 (4019)		
O	20-0 (6099)	19-11 (6060)	23-0 (7000)
P	19-11 (6060)		
R	+20°	+20°	+20°
R	-115°	-115°	-115°

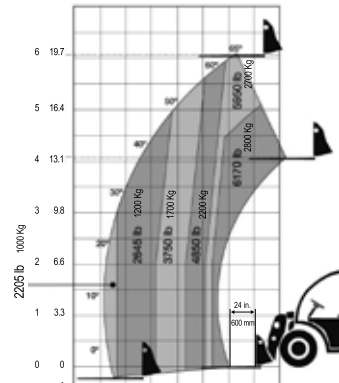


TECHNICAL SPECIFICATIONS

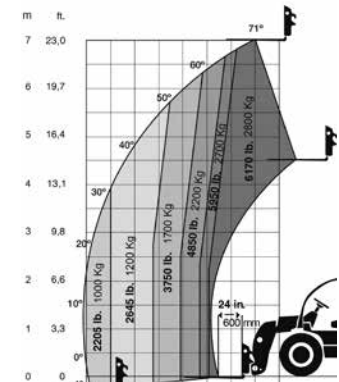
		T 276 H	T 306 H	T 307 H	
Load capacity	Max. load (@ 24"/600mm)	5,950 (2700) lb (Kg)	6,170 (2800)	6,170 (2800)	
	Load at max. height (@ 24"/600mm)	5,950 (2700) lb (Kg)	6,170 (2800)	6,170 (2800)	
Lifting height	Maximum lifting height	20-0 (6100) ft-in (mm)	19-11 (6060)	23-0 (7000)	
	Lifting height at max. load	20-0 (6100) ft-in (mm)	16-9 (5100)	23-0 (7000)	
Reach	Max reach	11-2 (3400) ft-in (mm)	11-2 (3410)	11-9 (3580)	
	Capacity at max reach	lb (Kg)	2,204 (1000)		
Unload weight	lb (Kg)	11,056 (5015)	11,905 (5400)	12,379 (5615)	
Engine	Turbo-diesel		Kubota V 3600-T		
	Power/SAE J1995	(KW / HP)	62,3 / 84,7		
	Torque	lb ft (Nm)	199 (270)		
	N° of cylinders		4		
	Cooling system		Water		
Traction			4x4x4 permanent		
Steering			Hydraulic		
			Front wheel steer / All wheel steer / Crab steer		
Transmission		Hydrostatic 2 gears	Hydrostatic 2 gears	Hydrostatic 1 gear	
Engine starting system			Electric		
Speed	Mph (Km/h)		14,9 (24)		
Axles			Dana Spicer		
Gradeability		40% (standard) / 45% (wheels TT)	43%	39%	
Hydraulic circuit	Working pressure	psi (bar)	3,480 (240)	3,770 (260)	
	Hydraulic pump	cu-in (cc.)		2.2 (36)	
	Flow circuit	gal/min (l/min)		19.4 (73,4)	
Tyres	Front		12,5 / 80 - 18	14 - 17,5	
	Rear		12,5 / 80 - 18	14 - 17,5	
External turning radius	ft-in (mm)	10-7 (3220)	10-1 (3075)	10-1 (3075)	
Tank capacity	Fuel	gal (l)	29.1 (110)		
	Hydraulic fluid	gal (l)	18.5 (70)		
Service brake			Disc brake		
Parking brake			Mechanically actuated disk-brake		
STANDARD EQUIPMENT		Homologated FOPS/ROPS tilting cabin for easy service			
		Joystick with integrated functions, "total control of movements"			
		Adjustable ergonomic seat with safety belt			
		Rear view mirror			
		Audible reverse warning			
		Rotating beacon			
		Antivandalic system			
		Limited slip differential on front axle			
		4th auxiliary hydraulic service with quick coupling			
		Road Traffic Selector: Lock joystick and 2 front wheels steering			
		Active safety system with boom locking by instability/ Engine start lock with hand brake activated / Control arm lock without driver			
	OPTIONAL EQUIPMENT		Semi-closed cabin		
			Closed soundproof cabin with heater		
			Air conditioning integrated under the cabin		
			Radiostereo CD		
			Adjustable steering column		
			Front protective grille		
			Load backrest		
			Electronic anti theft protection system		
			Homologated lighting equipment		
		Working light			
		5th auxiliary hydraulic service with quick coupling			
		Hydraulic quick coupling system (Universal SLL type or Euro)			
		4th auxiliary hydraulic service with continuous flow			
		Other tyres pattern available			
		FEM III forks carriage with or without integrated side-sift (TDL)			
		Bucket 4 in 1			
		Bucket 0.8 (600) / Bucket 0.9 (700) / Bucket 1.3 (1000)			
		Multiple attachments available proven and tested from factory			



T 276 H



T 306 H



T 307 H

AUSA reserves the right to make any changes in the specifications without prior notice.