



# TAURULIFT T 276 H



www.ausa.com

AUSA Center, S.L. ● Ctra. de Vic, Km 2.8 - P.O.B. 194, 08243 Manresa - BARCELONA (ESPAÑA) Tel.: +34 93 874 73 11 E-mail: ausa@ausa.com

ISO 9001

ISO 14001



(Sede central AUSA-Manresa)



FEM-AEM

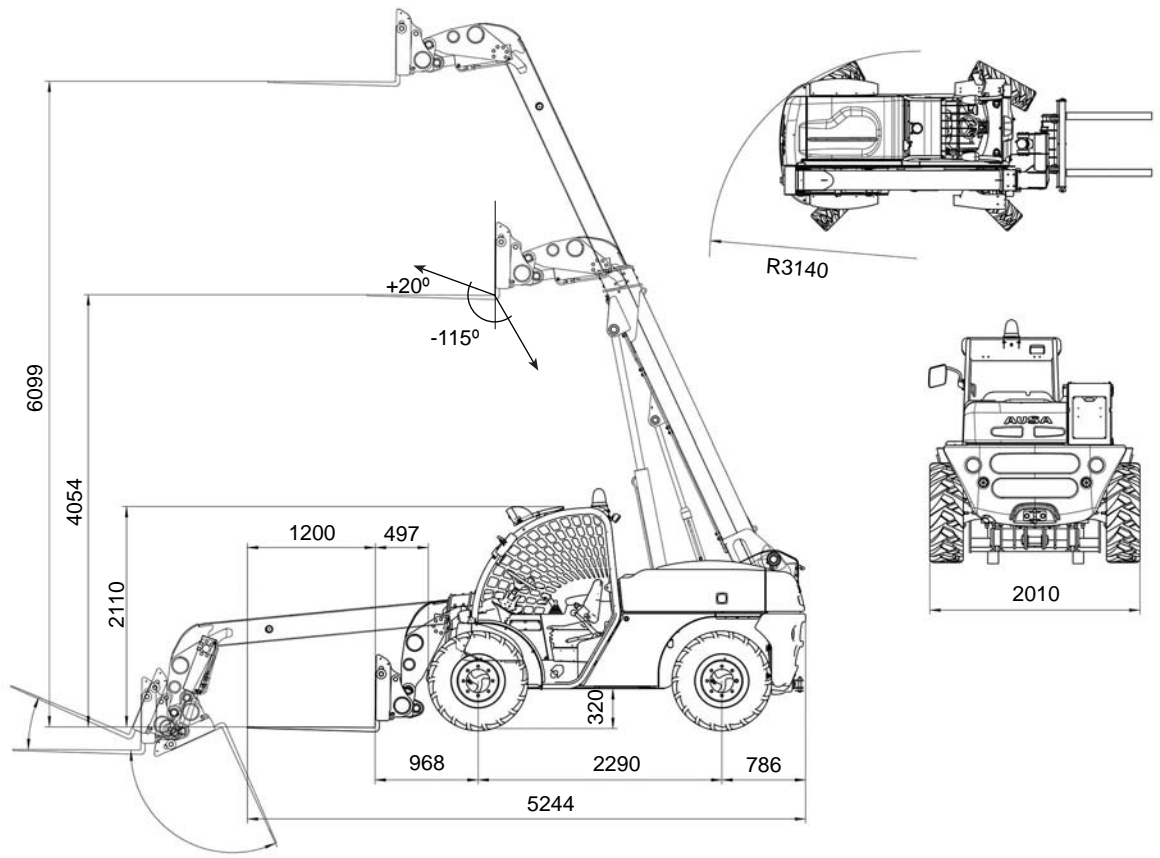


- AUSA Madrid** ● Pol. Ind. Coslada-Marconi 15-17, 28823 Coslada - MADRID (ESPAÑA) Tel.: +34 91 669 00 06 E-mail: ausa.madrid@ausa.com
- AUSA France** ● Z. I. Saint Charles-Rue de Zürich, 66000 PERPIGNAN (FRANCE) Tel.: +33 (0) 4 68 54 38 97 E-mail: ausa.france@ausa.com
- AUSA UK** ● Unit 16 Hollows Works - Shawclough Road - Rochdale - Lancs OL12 6LN (U.K.) Tel.: +44 (0) 1706 64 96 91 E-mail: ausa.uk@ausa.com
- AUSA DEUTSCHLAND GmbH** ● Heinrich - Welken Straße 5, 59069 HAMM - RHYNERN (GERMANY) Tel.: +49 2385922245 E-mail: ausa.deutschland@ausa.com
- AUSA Northamerica Corp.** ● 2655 Le Jeune Road - Suite 808, CORAL GABLES FL 33134 (USA) Toll free: 1 800 820 AUSA E-mail: ausa.corp@ausa.com
- BEIJING Rep. office** ● Address Room 527, HengXiang Building, Tuanjiehu Nanli, Chaoyang District. - Beijing 100026 CHINA Tel: 86-10-8597 1983 - Fax: 86-10-8597 1993 - E-mail: ausa.china@ausa.com

**T 276 H** 2700 Kg

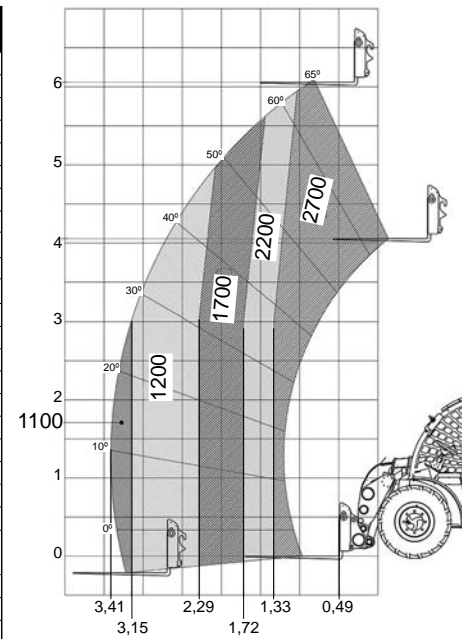
**AUSA**

www.ausa.com



**TECHNICAL SPECIFICATIONS**

		T 276 H
Load capacity (Kg)	Max. load	2700
	Load at max. height	2700
Lifting height (mm)	Maximum lifting height	6100
	Maximum lifting height at max. load	6100
Reach	Max reach (mm)	3400
	Capacity at max reach (Kg)	1180
Engine	Turbo Diesel	KUBOTA V3600T
	Power acc./ SAE J 1995	62.3 / 84.7 (2400 rpm)
	Nº of cylinders	4
	Cooling system	Water
Traction		4x4 permanent
Transmission		Hidrostatic 2 gears. Electric gear inverter.
Engine starting system		Electric
Speed (Maximum) (Km/h)		24
Unladen weight (Kg)		5015
Gradient negotiable (with full load)		40 % Standard tyres / 45% All Terrain Tyres (optional)
Hydraulic circuit		36 cc. gear pump. Working pressure 240 bar
Tyres	Front	Asphalic 12,5 / 80 - 18
	Rear	Asphalic 12,5 / 80 - 18
External turning circle (mm)		3140
Steering		Hydraulic
		Front wheel steer / All wheel steer / Crab steer
Tank capacity (l)	Fuel	110
	Hydraulic fluid	70
Service brake		Disc brake, hydraulically actuated
Parking brake		Same disc brake, mechanically actuated



**STANDARD EQUIPMENT**

Homologated FOPS-ROPS cabin
Antivandalic system
Adjustable ergonomic seat
Seat belt
Rear view mirror
Rotating beacon
Audible reverse warning
Hydraulic quick hitch
Tilting cabin for service
Passive security system
Total control Joystick
Lighting equipment
Working light

**OPTIONAL EQUIPMENT**

Semi-closed cabin
Full cabin with heater
Air conditioning
Load protector
Limited slip differential on front axle
All terrain tyres (12.0 / 75 - 18 TL)
All terrain open center tyres
700 l. Bucket
Multi-Tach hydraulic system
Side shift

AUSA reserves the right to make any changes in the specifications without prior notice.